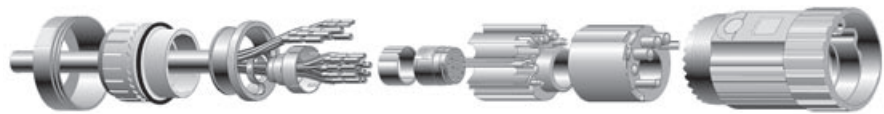
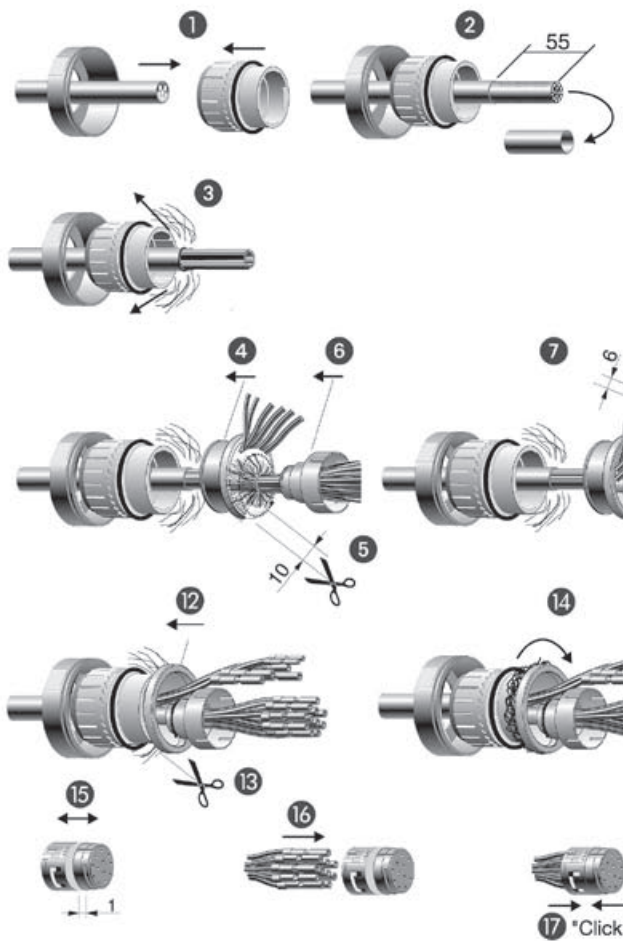


HELUTECH® F Series
Mounting instructions

PLUG HOUSING
Crimping contacts

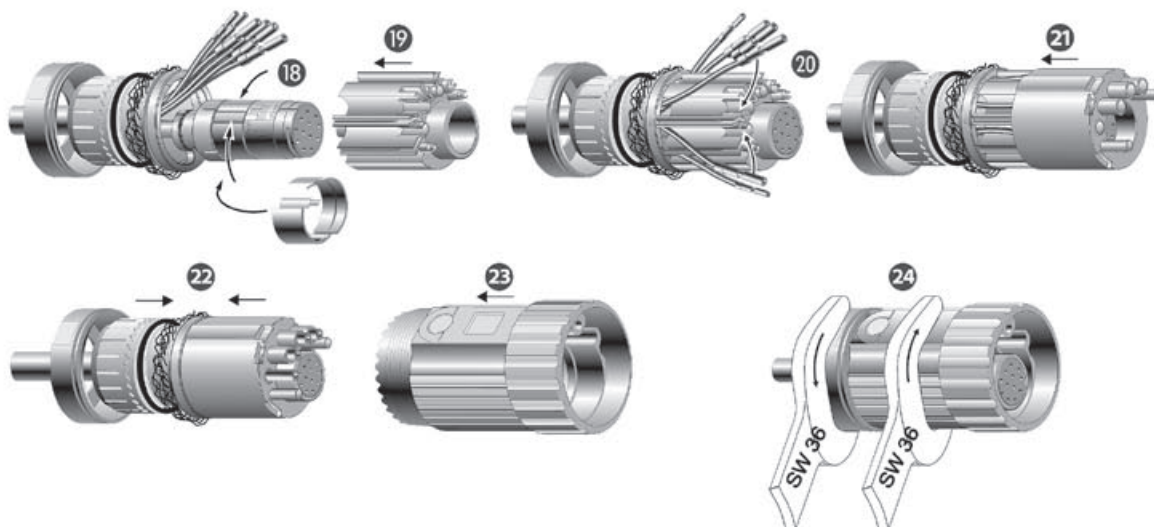


Helutec® mounting instructions published here are for general information purposes only. All data are subject to change without notice, errors excepted. Helutec® mounting instructions are mandatory, only when supplied together with connectors, components or project related documents. PDF file generated 02/2005.



Please mind correct setting of crimping tools:
Combination crimping pliers/ positioning crimping insert

Contact	a (mm ²)	Tool	Insert	Positioning insert color ring
Signal	0.06 - 1.0	C0.101.00	-	-
Signal	0.14 - 1.0	C0.201.00	C0.003.00	blue/green
Signal	0.14 - 1.0	C0.201.00	C0.048.00	blue
Power	0.35 - 2.5	C0.201.00	C0.004.00	blue
Power	2.5 - 4.0	C0.201.00	C0.004.00	blue



EXTENSION HOUSING

Crimping contacts



Helutec® mounting instructions published here are for general information purposes only. All data are subject to change without notice, errors excepted. Helutec® mounting instructions are mandatory, only when supplied together with connectors, components or project related documents. PDF file generated 02/2005.

Please mind correct setting of crimping tools:
Combination crimping pliers/ positioning crimping insert

Contact	a (mm²)	Tool	Insert	Positioning insert color ring
Signal	0.06 - 1.0	C0.101.00	-	-
Signal	0.14 - 1.0	C0.201.00	C0.003.00	blue/green
Signal	0.14 - 1.0	C0.201.00	C0.048.00	blue
Power	0.35 - 2.5	C0.201.00	C0.004.00	blue
Power	2.5 - 4.0	C0.201.00	C0.004.00	blue

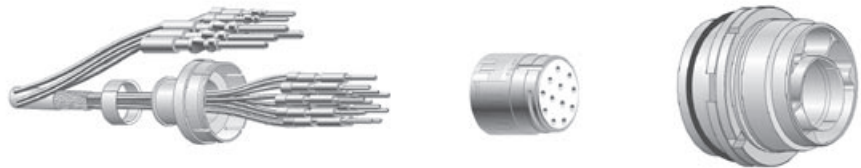
Tools: 1mm C5.002.00
2mm C5.003.00

1mm: C4.005.00+C4.006.00
2 mm: C4.005.00+C4.007.00

No. C4.001.00

RECEPTACLE HOUSING STRAIGHT TYPE

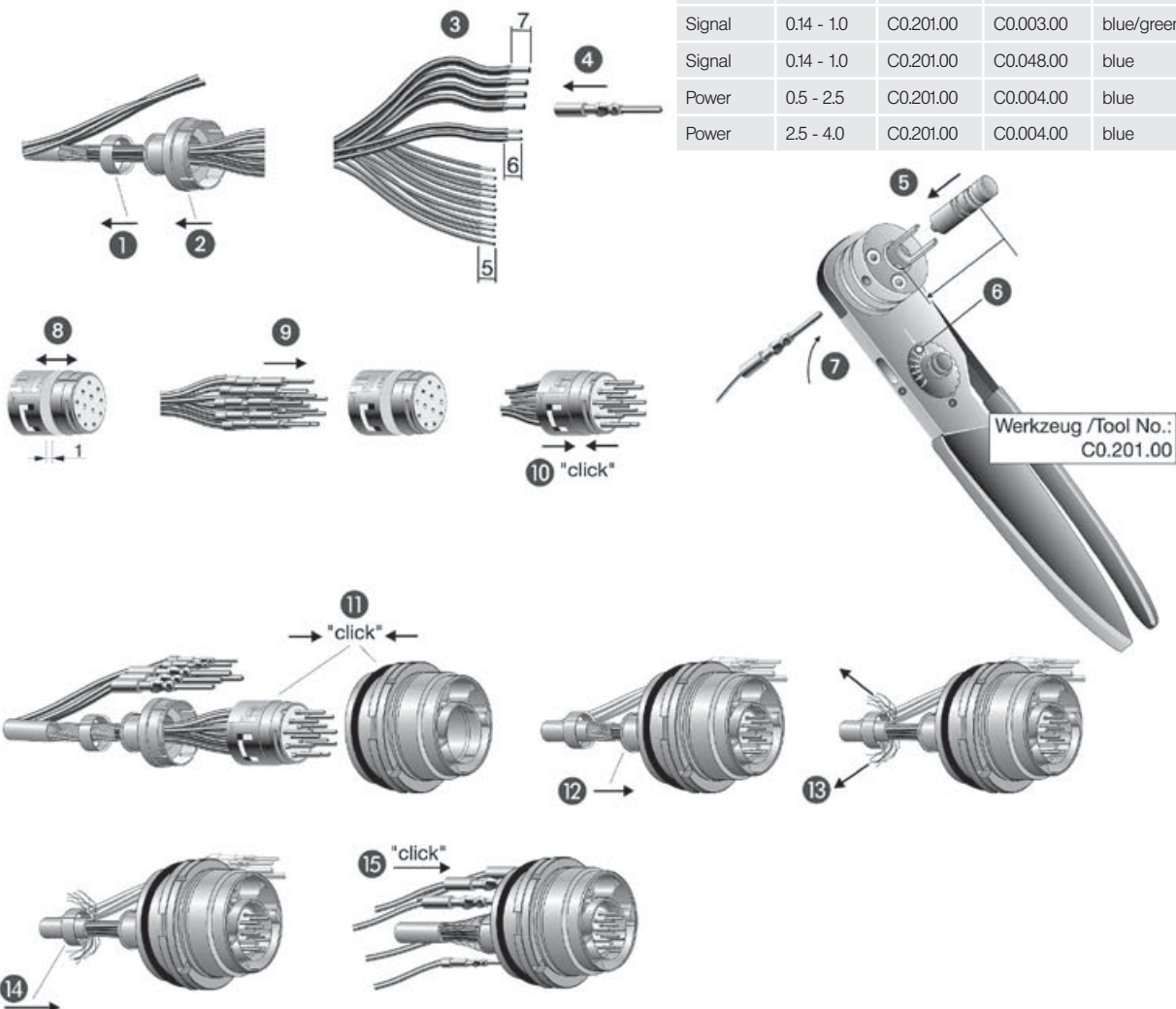
Crimping contacts



Helutec® mounting instructions published here are for general information purposes only. All data are subject to change without notice, errors excepted. Helutec® mounting instructions are mandatory, only when supplied together with connectors, components or project related documents. PDF file generated 02/2005.

Please mind correct setting of crimping tools:
Combination crimping pliers/ positioning crimping insert

Contact	a (mm ²)	Tool	Insert	Positioning insert color ring
Signal	0.06 - 1.0	C0.101.00	-	-
Signal	0.14 - 1.0	C0.201.00	C0.003.00	blue/green
Signal	0.14 - 1.0	C0.201.00	C0.048.00	blue
Power	0.5 - 2.5	C0.201.00	C0.004.00	blue
Power	2.5 - 4.0	C0.201.00	C0.004.00	blue



Werkzeug / Tool No.:
C0.201.00

Dismounting



Werkzeuge / Tools No.:
1mm: C4.005.00 + C4.006.00
2mm: C4.005.00 + C4.007.00

No. C4.001.00

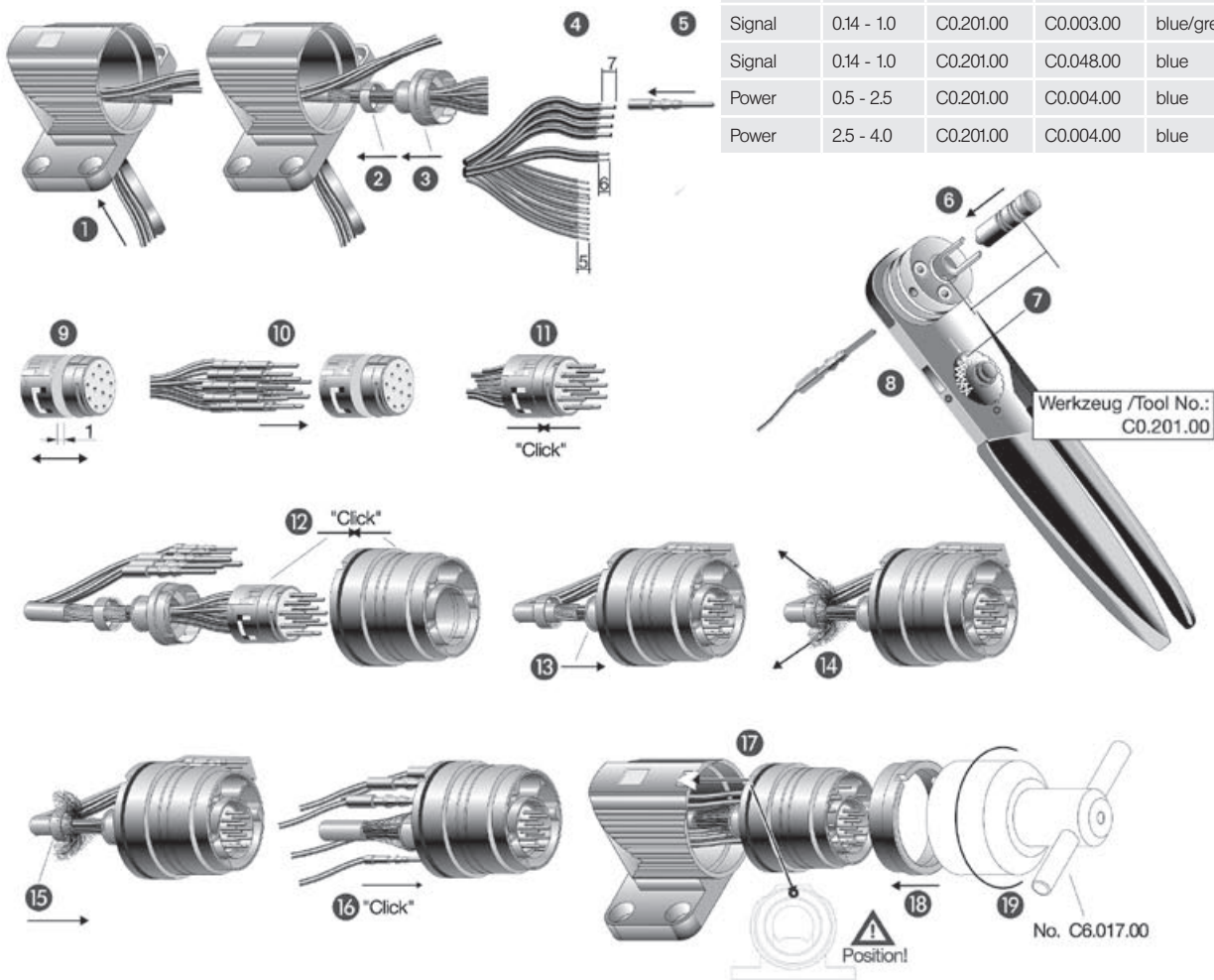
ANGLED RECEPTACLE HOUSING

Crimping contacts



Please mind correct setting of crimping tools:
Combination crimping pliers/ positioning crimping insert

Contact	a (mm²)	Tool	Insert	Positioning insert color ring
Signal	0.06 - 1.0	C0.101.00	-	-
Signal	0.14 - 1.0	C0.201.00	C0.003.00	blue/green
Signal	0.14 - 1.0	C0.201.00	C0.048.00	blue
Power	0.5 - 2.5	C0.201.00	C0.004.00	blue
Power	2.5 - 4.0	C0.201.00	C0.004.00	blue



Demontage / Dismounting

