

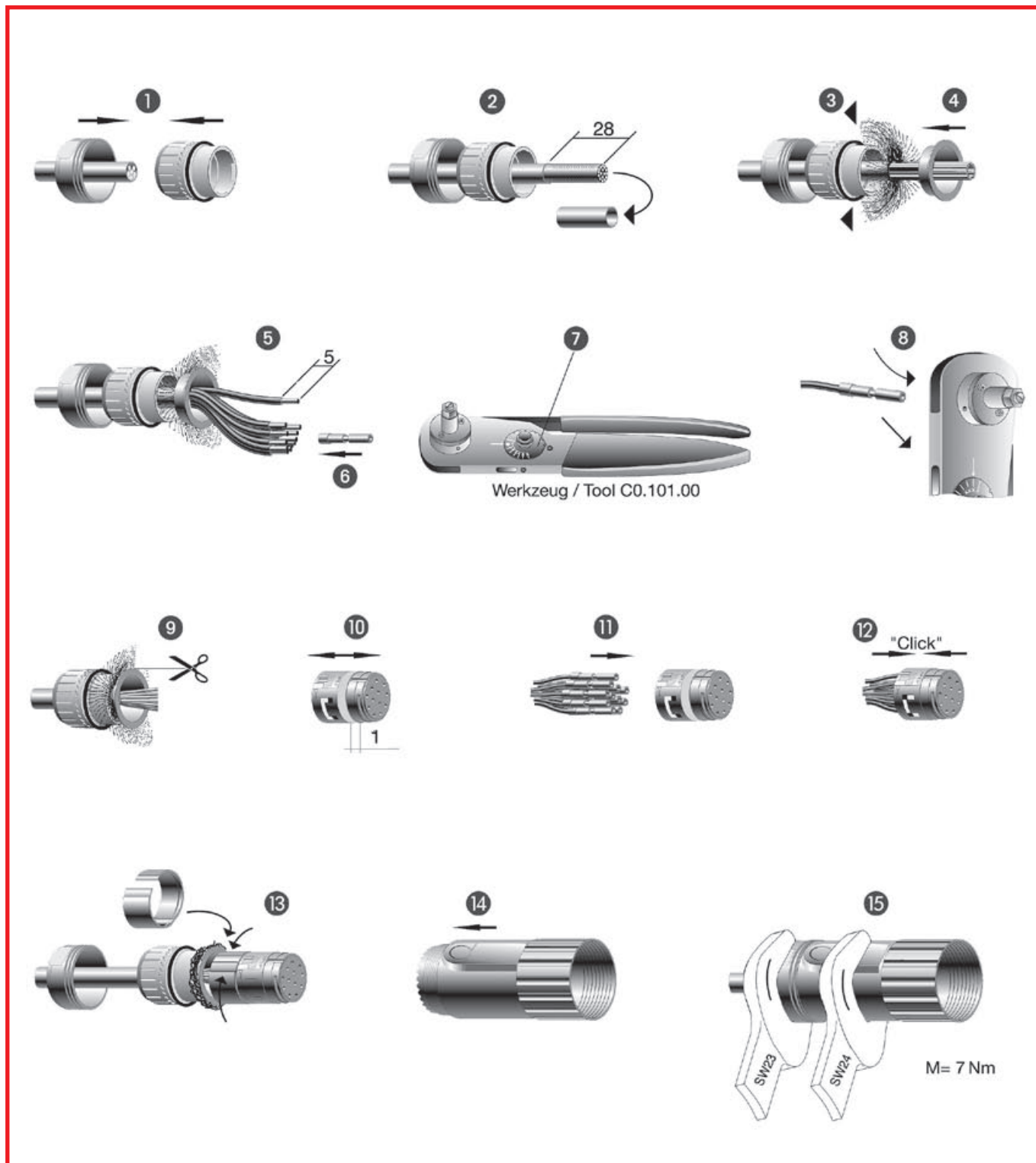
HELUTEK A Series
M23 STANDARD
Mounting instructions

PLUG HOUSING

12 to 17 ways insulation insert
Crimping contacts



Helutec® mounting instructions published here are for general information purposes only. All data are subject to change without notice, errors excepted. Helutec® mounting instructions are mandatory, only when supplied together with connectors, components or project related documents. PDF file generated 02/2005.

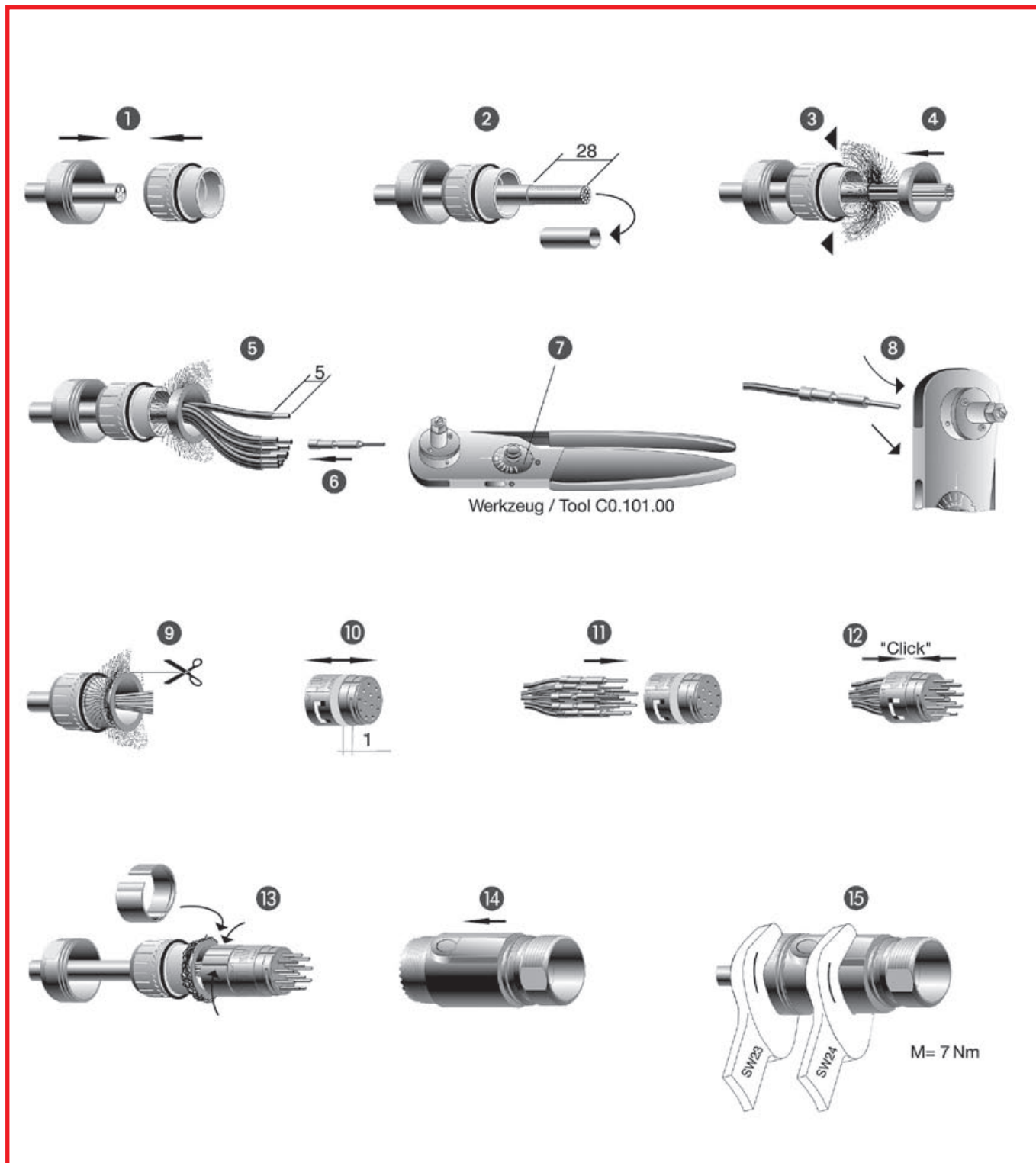


EXTENSION HOUSING

12 to 17 ways insulation insert
Crimping contacts



Helutec® mounting instructions published here are for general information purposes only. All data are subject to change without notice, errors excepted. Helutec® mounting instructions are mandatory, only when supplied together with connectors, components or project related documents. PDF file generated 02/2005.



**RECEPTACLE HOUSING,
STRAIGHT**

Crimping contacts



Helutec® mounting instructions published here are for general information purposes only. All data are subject to change without notice, errors excepted. Helutec® mounting instructions are mandatory, only when supplied together with connectors, components or project related documents. PDF file generated 02/2005.

1

5

2

3

4

5

6

"Click"

7

Werkzeug / Tool C0.101.00

1

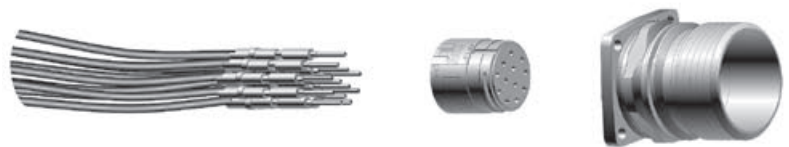
Wichtig für dichte Isolierkörper: Vor Bestücken des Isolierkörpers, Kontakte bitte leicht mit Vaseline einfetten.
Important for sealed insulation inserts:
Before equipping the insulation inserts, please grease the contacts.

Werkzeug / Tool C4.001.00

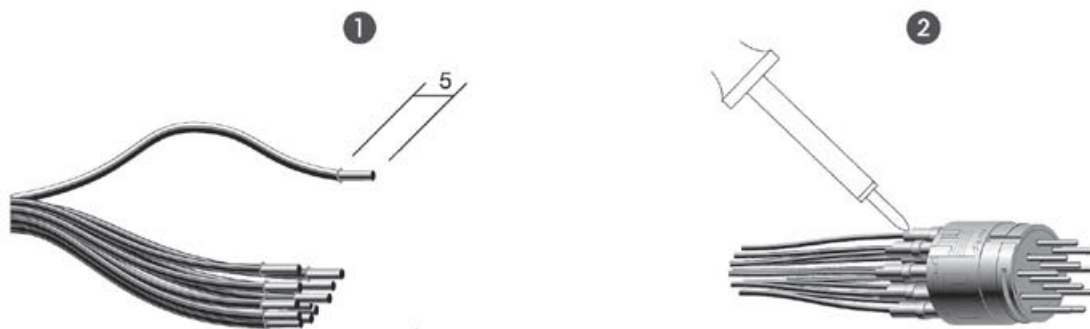
Demontage / Dismounting

**RECEPTACLE HOUSING,
STRAIGHT**

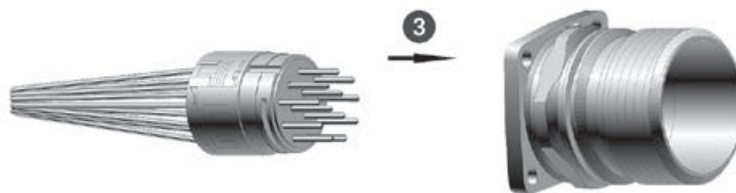
Soldering contacts



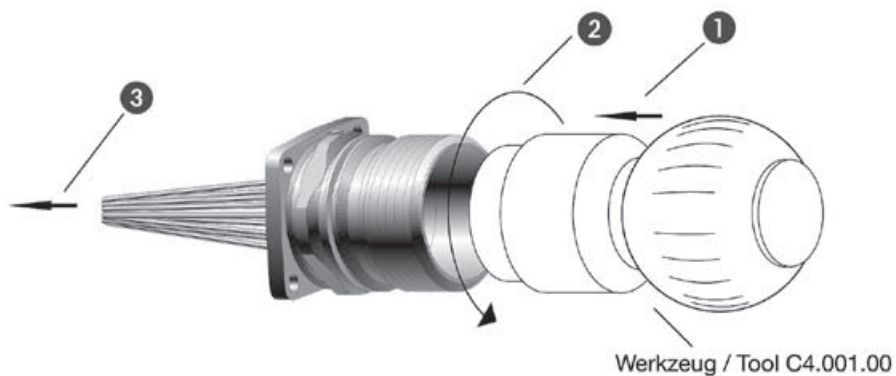
Helutec® mounting instructions published here are for general information purposes only. All data are subject to change without notice, errors excepted. Helutec® mounting instructions are mandatory, only when supplied together with connectors, components or project related documents. PDF file generated 02/2005.



Wichtig für dichte Isolierkörper: Vor Bestücken des Isolierkörpers,
Kontakte bitte leicht mit Vaseline einfetten.
Important for sealed insulation inserts:
Before equipping the insulation inserts, please grease the contacts.



Demontage / Dismounting



ANGLED RECEPTACLE HOUSING

Crimping contacts



Helutec® mounting instructions published here are for general information purposes only. All data are subject to change without notice, errors excepted. Helutec® mounting instructions are mandatory, only when supplied together with connectors, components or project related documents. PDF file generated 02/2005.

1

2

3

4

5

6 "Click"

7

8 "Click"

9 "Click"

Werkzeug / Tool C0.101.00

Werkzeug / Tool C6.018.00

Werkzeug / Tool C4.001.00

Demontage / Dismounting

1

2

3

4

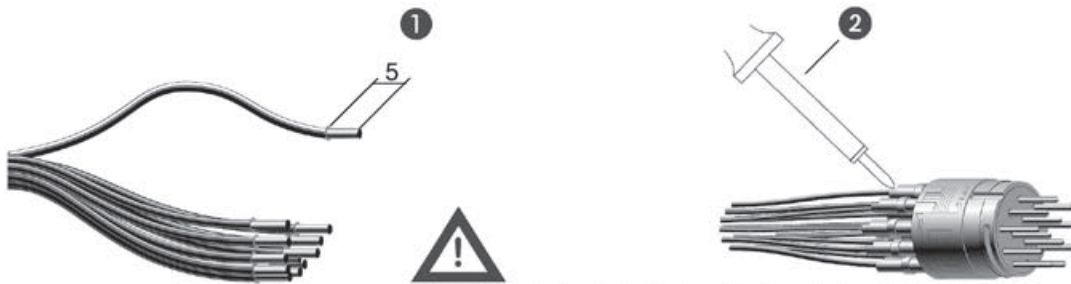
Wichtig für dichte Isolierkörper: Vor Bestücken des Isolierkörpers, Kontakte bitte leicht mit Vaseline einfetten.
Important for sealed insulation inserts:
Before equipping the insulation inserts, please grease the contacts.

ANGLED RECEPTACLE HOUSING

Soldering contacts



Helutec® mounting instructions published here are for general information purposes only. All data are subject to change without notice, errors excepted. Helutec® mounting instructions are mandatory, only when supplied together with connectors, components or project related documents. PDF file generated 02/2005.



Wichtig für dichte Isoliertkörper: Vor Bestücken des Isoliertkörpers, Kontakte bitte leicht mit Vaseline einfetten.
 Important for sealed insulation inserts:
 Before equipping the insulation inserts, please grease the contacts.



Demontage / Dismounting

